

## Metal Can Type Crystals M49SSMD Series



### 产品特点

- 表面贴装型晶体单元。
- 频点广泛。
- 高频牵引率和低等效串联电阻。
- 高质量的生产能力。
- PC, 机顶盒, 零件, 和电缆调制解调器的最佳选择。
- 符合RoHS和无铅。

### Features

- Surface mount type crystal units.
- A great number of standard frequencies.
- High frequency pullability and low equivalent series resistance.
- Highly mass production capability.
- The best choice of PC, STB, LCDM, and Cable Modem.
- RoHS Compliant / Pb Free.

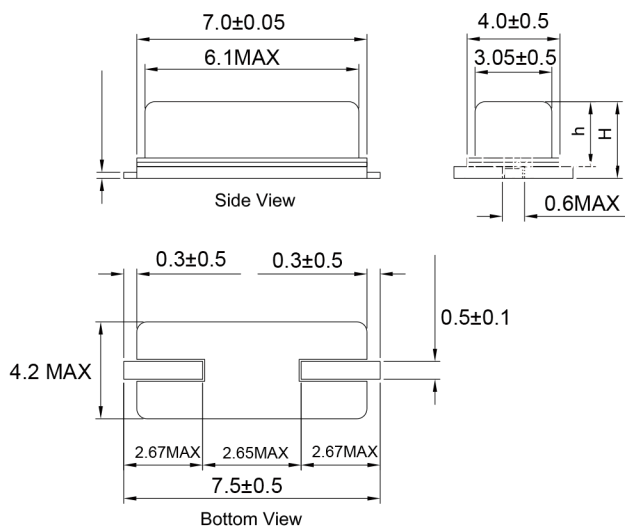
### 电气规格 Electrical Specifications

Item/Type	Description
频率范围 Frequency Range	3.2 ~ 90 MHz
调整频差 Frequency Tolerance (at 25)	± 30 ppm, or specify
温度频差 Frequency Stability Over Operating Temperature Range	± 30 ppm, or specify
温度范围 Operating Temperature Range	- 20 ~ + 70 °C, or specify
静态电容 Shunt Capacitance (C0)	7 pF Max.
激励功率 Drive Level	1 ~ 500 μW (10 μW typical)
负载电容 Load Capacitance	Series, 7.3-16 pF, 20 pF, 30 pF, 32 pF, or specify
老化率 Aging (at 25)	± 5 ppm / year Max.
贮存温度 Storage Temperature Range	- 40 ~ + 85 °C

### 等效串联电阻 (ESR) Equivalent Series Resistance(ESR)

Fundamental		3rd Overtone	
3.2 ~ 3.686 MHz	200 Ω Max.	27 ~ 30 MHz	100 Ω Max.
3.686 ~ 5 MHz	150 Ω Max.	30 ~ 50 MHz	80 Ω Max.
5 ~ 10 MHz	100 Ω Max.	50 ~ 90 MHz	60 Ω Max.
10 ~ 14 MHz	80 Ω Max.		
14 ~ 30 MHz	60 Ω Max.		

### 尺寸图 Dimensions



Units: mm

### 物料编码 Material code

